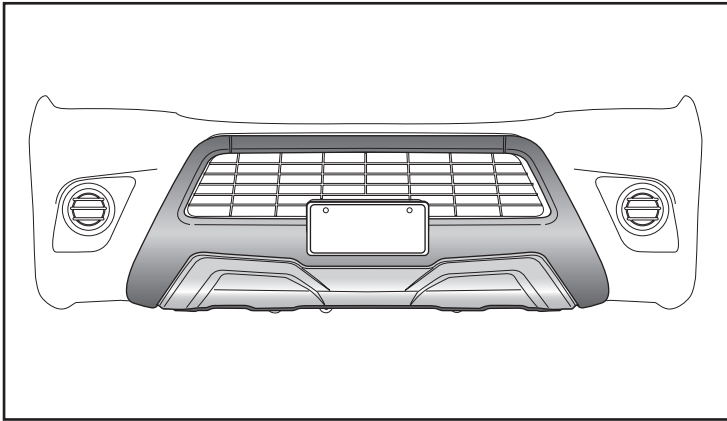




BUMPER INSTALLATION INSTRUCTIONS

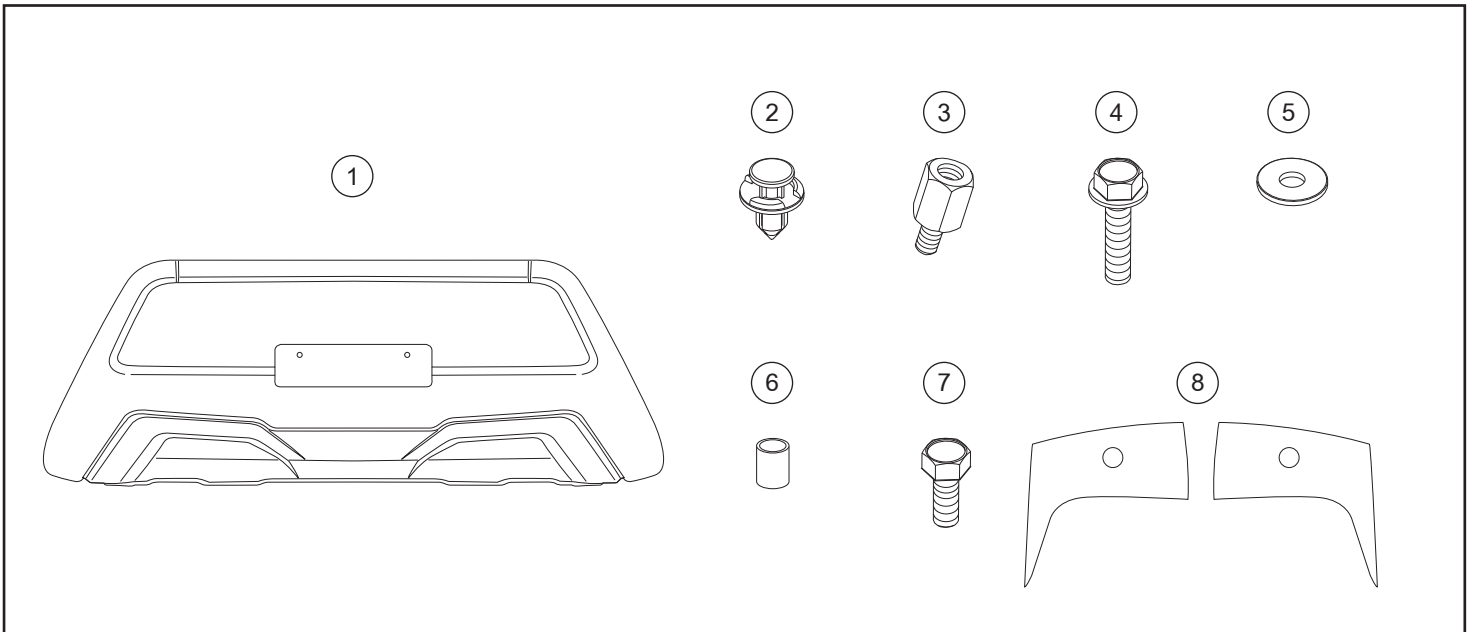


Caution for installation

1. Area which would like to install the FRONT BUMPER GUARD should behave background material.
2. During installation the FRONT BUMPER GUARD (person who installed) should take off any ornaments such as watch, belt, ring ect..

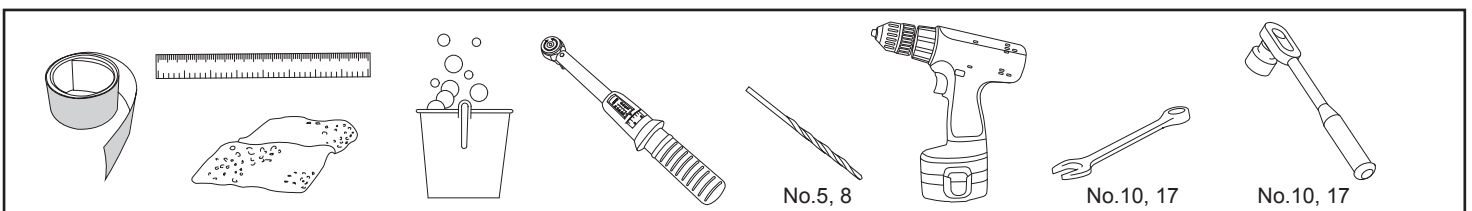
Product name : FRONT BUMPER GUARD 4x4
 Model name : TOYOTA 640A DBC 2015
 Inst. number : L02-0189

Component parts



No.	Part name	Q'ty
1.	Front bumper guard	1 Set
2.	Trim clip	2 Pcs.
3.	Hex CTR super nut M6	2 Pcs.
4.	Bolt M6x30	2 Pcs.
5.	Plain washer M6	2 Pcs.
6.	Collar M6	2 Pcs.
7.	Hex bolt M6	2 Pcs.
8.	Jig	2 Pcs.

Tools used



Instruction procedure

